

# HIGHLY EFFICIENT SOFT MOUNTED WASHER EXTRACTORS

**FX  
RANGE**

FX65	FX80	FX105	FX135
6,5KG 14LB	7,5KG 18LB	10,5KG 25LB	13,5KG 30LB



## FEATURES

- Freestanding, high spin (up to 1165 rpm - FX65,FX80)
- 400G extraction speed
- Cascade Drum
- Stainless steel top and anthracite front and side panel
- Stainless steel drum and tub
- Patented soap hopper
- Liquid soap connection
- Large drain valve (Ø 76 mm)
- Easy access to all vital parts from the front
- Large door opening for easy loading & unloading

## OPTIONS

- Coin operated
- Stainless steel cabinet
- USB + RS485 plug (XControl / XControl Plus)
- Liquid soap pumps
- Water recovery kit
- Steam heating version
- Drain pump (FX65, FX80)
- 3<sup>rd</sup> water inlet

## CONTROL OPTIONS

- XControl (VEND only) – easy-to-use microprocessor
- XControl Plus (OPL only) – fully programmable
- XControl FLEX (OPL/Vend)
  - ▮ 7", full color touch screen display
  - ▮ User-friendly screen with operating instructions built in as part of the control
  - ▮ Complete control content available in 34 languages
  - ▮ 15 wash cycles for OPL, 12 for Vend
  - ▮ 8 easy-to-understand cycle modifiers
  - ▮ Machine programming & firmware updates through cloud



TESTED AND CERTIFIED  
BY EXPERTS FOR  
DISINFECTION AT 40°C<sup>1</sup>

199,9999 % reduction of Escherichia coli K12 NCTC 10538, Staphylococcus aureus ATCC 6538, Salmonella enterica ATCC 13076, Candida albicans ATCC 10231, Aspergillus brasiliensis ATCC 16404 in the mop washing program „Mop washing program for main wash temperature 40° C" with „Eltra 40 extra" laundry detergent and a load size of 7.5 kg - investigation MB 1880/19 dated April 16, 2020 conducted by wfk-Institut für Angewandte Forschung GmbH commissioned by Alliance Laundry CE s.r.o..



INTUITIVE TOUCH  
SCREEN CONTROL



LARGE DOOR  
OPENING

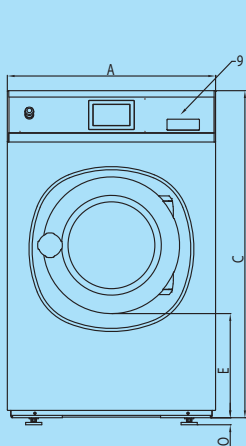


LOW WATER  
AND ENERGY  
CONSUMPTION

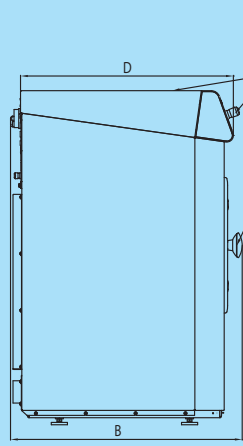


GET AHEAD IN LAUNDRY

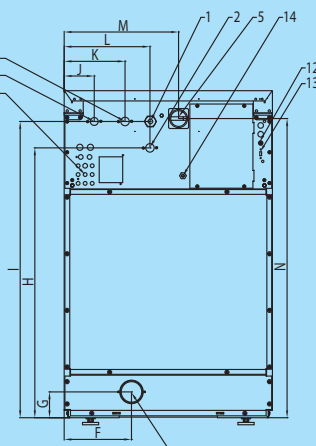
TYPE		FX65	FX80	FX105	FX135
<b>INNERDRUM</b>					
Maximum capacity 1:9	kg (lb)	7 (15)	9 (20)	12 (26)	15 (33)
Capacity 1:10	kg (lb)	6,5 (13)	7,5 (18)	10,5 (24)	13,5 (31)
Volume	litres	65	75	105	135
Diameter	mm	530	530	620	620
<b>DRUM SPEED</b>					
Wash	rpm	49	49	49	49
Extraction	rpm	1165	1165	1075	1075
<b>G-FACTOR</b>					
		400	400	400	400
<b>HEATING</b>					
Electricity (standard)	kW	6 / 9	6 / 9	6 / 9 / 12	9 / 12
Steam	bar	1 - 8	1 - 8	1 - 8	1 - 8
Hot water	°C	90	90	90	90
Sound pressure level	dB (A)	< 65	< 65	< 65	< 65
Water valves connection	BSP	3/4"	3/4"	3/4"	3/4"
Water pressure	kPa	100-800	100-800	100-800	100-800
Rec. water pressure	kPa	300-500	300-500	300-500	300-500
Water inlet	l/min	20	20	20	20
Drain valve	outer Ø mm	76	76	76	76
Flow amount with drain valve	l/min	210	210	210	210
Steam valve connection	BSP	1/2"	1/2"	1/2"	1/2"
Steam pressure	kPa	100-800	100-800	100-800	100-800
<b>DIMENSIONS</b>					
Size H×W×D	mm	1135×710×740	1135×710×790	1245×795×795	1245×795×945
Net weight	kg	170	185	210	255
<b>TRANSPORT DATA</b>					
Packed H×W×D	mm	1245×750×840	1245×750×840	1345×835×840	1345×835×985
Gross weight	kg	180	200	235	275



Front side



Left side



Rear side

- 1 Electrical connection
- 2 Hot water
- 3 Cold water hard
- 4 Cold water soft
- 5 Main switch
- 6 Liquid soap connection
- 7 Drain
- 8 Soap dispenser
- 9 Control panel
- 10 Button CENTRALSTOP
- 11 Door opening, FX65, FX80: Ø 330mm; FX105, FX135: Ø 410mm
- 12 Fuses
- 13 USB port
- 14 Electrical connection to liquid soap pumps

## DIMENSIONS

	A	B	C	D	E	F	G	H	I	J	K	L	M	N	O
FX65	710	740	1135	676	349	230	82	914	1004	113	218	293	390	1020	24
FX80	710	790	1135	726	349	230	88	920	1010	113	218	293	390	1020	24
FX105	795	795	1245	761	342	230	88	1030	1120	103	208	293	475	1130	24
FX135	795	945	1245	911	342	230	88	1030	1120	103	208	293	475	1130	24
	width	depth	height												

		FX80
Water consumption	l/kg	6,6
Electricity consumption	kWh/kg	0,18



\* Program No 11

The Primus preserves the right to change the machines and the specification in this leaflet at any time, without prior notice. Details and photographs are only for information and never binding.

[www.primuslaundry.com](http://www.primuslaundry.com)

Primus by Alliance Laundry Systems



# HIGHLY EFFICIENT SOFT MOUNTED WASHER EXTRACTORS

**FX  
RANGE**

FX180	FX240	FX280
18KG 39LB	24KG 55LB	28KG 70LB



## FEATURES

- Freestanding, high spin
- 400 G extraction speed (FX180, FX240)
- Stainless steel top and anthracite front and side panel
- Stainless steel drum and tub
- Cascade Drum
- Patented soap hopper
- Liquid soap connection
- High capacity water inlets (FX280)
- Large drain valve (Ø 76 mm)
- Easy access to all vital parts from the front
- Large door opening for easy loading & unloading

## OPTIONS

- Coin operated
- Stainless steel cabinet
- USB + RS485 plug (XControl FLEX / XControl FLEX Plus)
- Liquid soap pumps
- Water recovery kit
- Steam heating version
- 3<sup>rd</sup> water inlet
- High capacity water inlets (FX180, FX240)

## CONTROL OPTIONS

- XControl (VEND only) – easy-to-use microprocessor
- XControl Plus (OPL only) – fully programmable
- XControl FLEX (OPL/Vend)
  - 7", full color touch screen display
  - User-friendly screen with operating instructions built in as part of the control
  - Complete control content available in 34 languages
  - 15 wash cycles for OPL, 12 for Vend
  - 8 easy-to-understand cycle modifiers
  - Machine programming & firmware updates through cloud



TESTED AND CERTIFIED  
BY EXPERTS FOR  
DISINFECTION AT 40°C<sup>1</sup>

199,9999 % reduction of Escherichia coli K12 NCTC 10538, Staphylococcus aureus ATCC 6538, Salmonella enterica ATCC 13076, Candida albicans ATCC 10231, Aspergillus brasiliensis ATCC 16404 in the mop washing program „Mop washing program for main wash temperature 40° C" with „Eltra 40 extra" laundry detergent and a load size of 7.5 kg - investigation MB 1880/19 dated April 16, 2020 conducted by wfk-Institut für Angewandte Forschung GmbH commissioned by Alliance Laundry CE s.r.o..



INTUITIVE TOUCH  
SCREEN CONTROL



LARGE DOOR  
OPENING

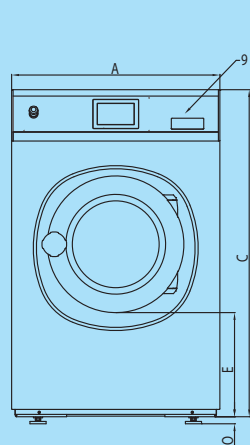


LOW WATER  
AND ENERGY  
CONSUMPTION

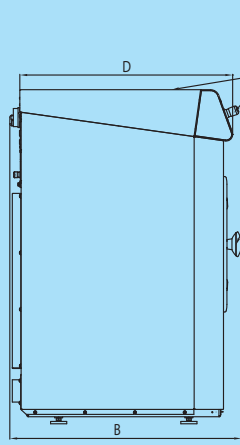


GET AHEAD IN LAUNDRY

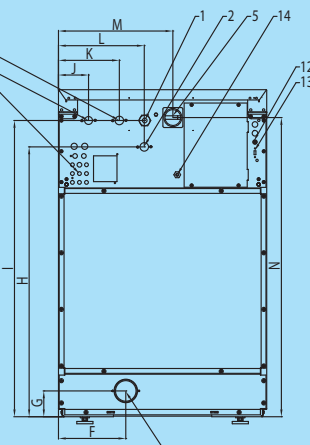
TYPE		FX180	FX240	FX280
<b>INNERDRUM</b>				
Maximum capacity 1:9	kg	20	27	32
Capacity 1:10	kg	18	24	28
Volume	litres	180	240	280
Diameter	mm	750	750	750
<b>DRUM SPEED</b>				
Wash	rpm	42	42	42
Extraction	rpm	980	980	915
<b>G-FACTOR</b>				
		400	400	350
<b>HEATING</b>				
Electricity (standard)	kW	12 / 18	18	18 / 21,9
Steam	bar	1-8	1-8	1-8
Hot water	°C	90	90	90
Sound pressure level	dB (A)	< 65	< 65	< 65
Water valves connection	BSP	3/4"	3/4"	3/4"
Water pressure	kPa	100-800	100-800	100-800
Rec. water pressure	kPa	300-500	300-500	300-500
Water inlet	l/min	20	20	20-50
Drain valve	outer Ø mm	76	76	76
Flow amount with drain valve	l/min	210	210	210
Steam valve connection	BSP	1/2"	1/2"	1/2"
Steam pressure	kPa	100-800	100-800	100-800
<b>DIMENSIONS</b>				
Size H×W×D	mm	1430×970×970	1430×970×1105	1430×970×1185
Net weight	kg	380	430	495
<b>TRANSPORT DATA</b>				
Packed H×W×D	mm	1550×1025×1015	1550×1025×1150	1550×1025×1225
Gross weight	kg	395	450	515



Front side



Left side



Rear side

- 1 Electrical connection
- 2 Hot water
- 3 Cold water hard
- 4 Cold water soft
- 5 Main switch
- 6 Liquid soap connection
- 7 Drain
- 8 Soap dispenser
- 9 Control panel
- 10 Button CENTRALSTOP
- 11 Door opening Ø 460mm
- 12 Fuses
- 13 USB port
- 14 Electrical connection to liquid soap pumps

## DIMENSIONS

	A	B	C	D	E	F	G	H	I	J	K	L	M	N	O
FX180	970	970	1430	906	477	270	108,5	1215	1297,5	102,5	208	293	610	1315	24
FX240	970	1105	1430	1041	477	270	108,5	1215	1297,5	102,5	208	293	610	1315	24
FX280	970	1185	1430	1116	477	270	108,5	1215	1305	102,5	208	293	610	1315	24
	width	depth	height												



The Primus preserves the right to change the machines and the specification in this leaflet at any time, without prior notice. Details and photographs are only for information and never binding.

[www.primuslaundry.com](http://www.primuslaundry.com)



Primus by Alliance Laundry Systems